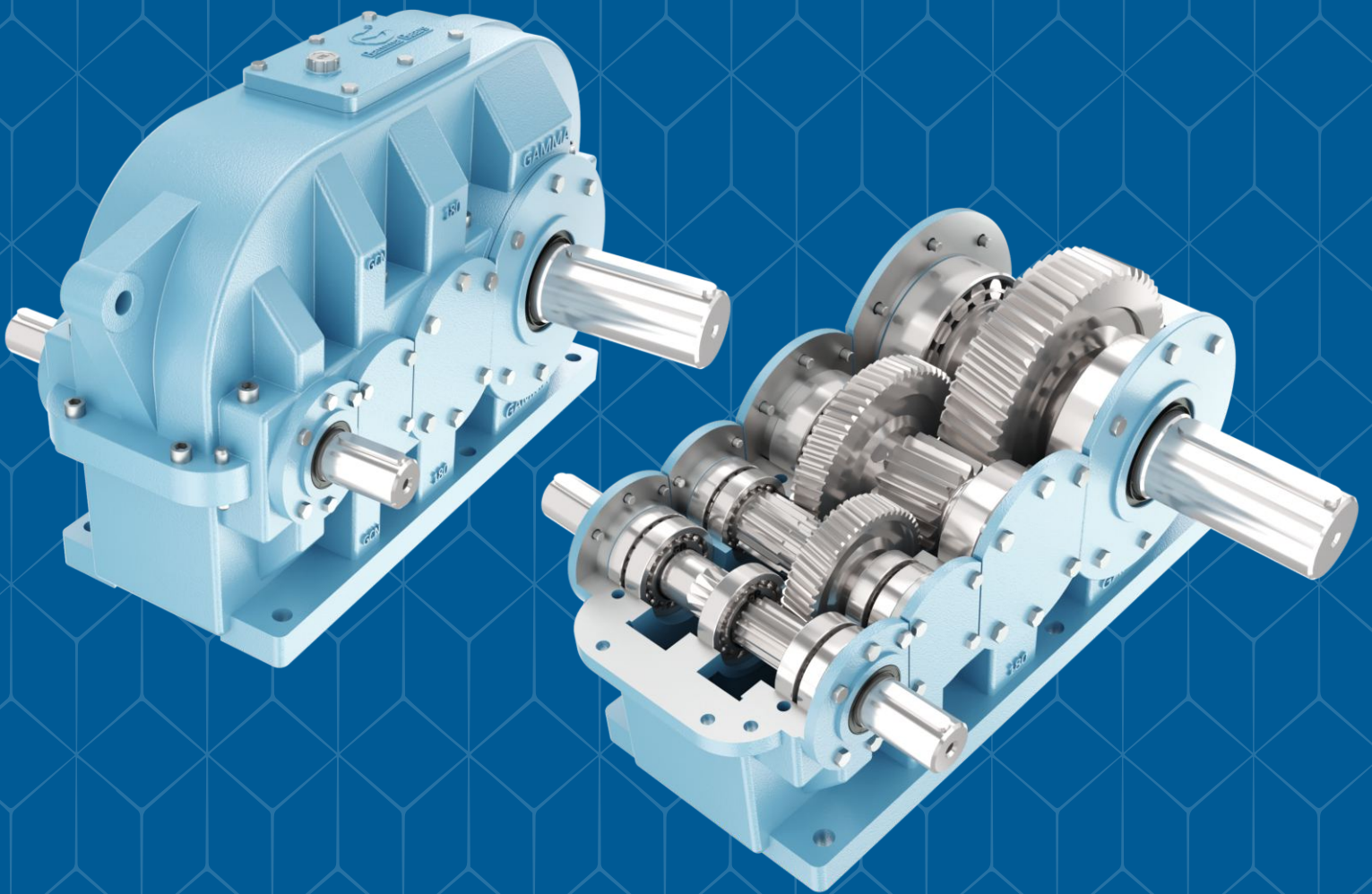
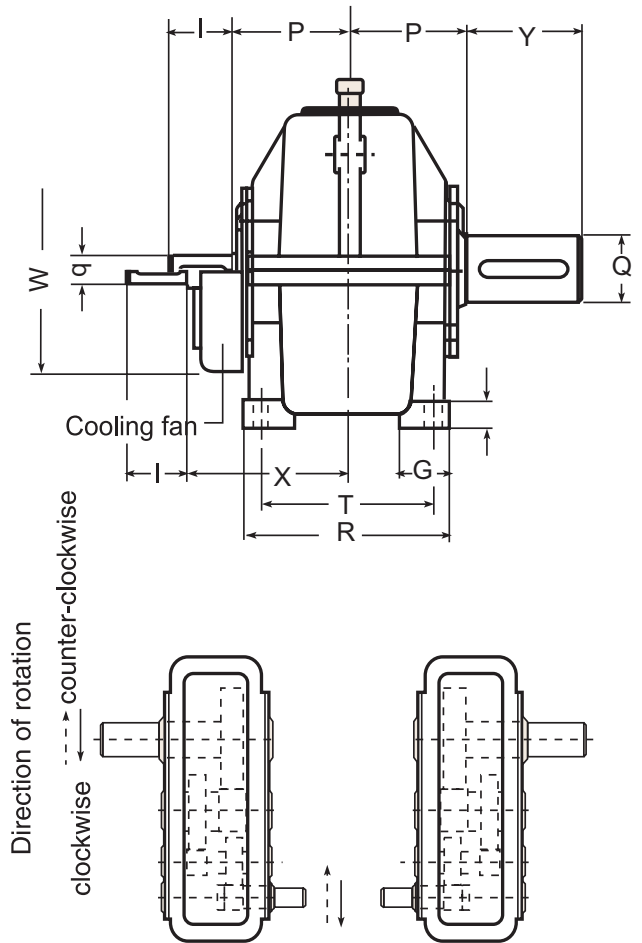
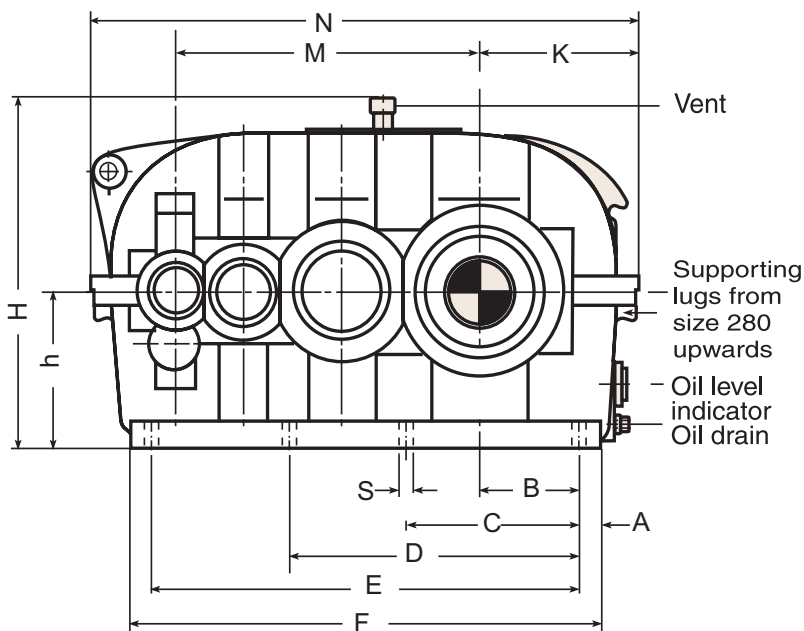




Manufacturing of Helical Gear Unit





"Left-hand" design "Right-hand" design

Example of a Gears Unit Designation :
 Gear unit GCN 200 R
 $P_N = 43$ [kW]; $n_1 = 1500$ rpm ;
 $n_2 = 38$ [rpm]; $i_N = 40 : 1$

Normal Design, Size 200
 R: 'right - hand' Design For Transmission of 43 [kW]
 at an input speed of $n_1 = 1500$ [rpm] and a trans- mission ratio of $i_N = 40 : 1$

Size Of Gear Unit	Input Shaft						Output Shaft	Dimensions [mm]																			Fan Cooling	Average weight [kg]	Oil quantity [litres]			
	$i_N \leq 45$	$i_N > 45$	$i_N > 45$	$i_N > 45$	$i_N > 45$	$i_N > 100$		Q	I	Q	I	Q	I	Q	Y	M	F	K	R	T	G	H	H	N	D	P				A	S	B
160	25	60	20	50			70	140	350	555	190	250	210	65	180	430	645		145	30	18	115	210	35	495	240	300	160	8			
180	30	80	25	60			80	170	395	625	215	270	230	70	200	475	725		160	30	18	135	240	35	565	250	300	215	10			
200	35	80	30	80	20	50	90	170	440	685	240	300	250	75	225	520	805		175	35	23	145	255	40	615	275	380	295	14			
225	45	110	35	80	25	60	100	210	495	775	260	320	270	80	250	570	895		190	35	23	165	290	45	705	285	380	405	22			
250	50	110	40	110	30	80	110	210	555	860	290	370	310	90	280	625	1000		210	40	27	180	315	50	780	310	380	540	28			
280	55	110	45	110	35	80	120	210	620	970	325	400	340	100	315	690	1130		230	45	27	200	355	55	880	340	530	720	39			
315	60	140	50	110	40	110	140	250	700	1085	355	450	380	110	355	785	1255	655	260	50	33	220	405	60	985	365	530	970	56			
355	70	140	55	110	45	110	160	300	785	1220	390	480	410	120	400	865	1400	740	285	55	33	245	450	65	1110	400	650	1300	80			
400	75	140	60	140	50	110	170	300	880	1355	440	530	460	130	450	960	1565	840	305	55	33	280	510	70	1245	423	650	1770	115			
450	85	170	70	140	55	110	190	350	990	1520	490	600	510	140	500	1065	1750	940	345	60	39	315	575	80	1400	455	650	2350	165			
500	95	170	80	170	60	140	220	350	1105	1690	550	650	560	150	560	1185	1950	1050	475	70	39	350	645	90	1550	555	650	3850	220			
560	105	210	90	170	70	140	250	410	1240	1895	610	750	640	160	630	1325	2175	1165	510	80	45	390	715	100	1735	595	650	5300	310			
630	115	210	95	170	80	170	300	470	1395	2145	695	800	690	170	710	1485	2485	1320	560	80	45	445	800	110	1985	635	650	7250	450			
710	125	250	110	210	90	170	340	550	1565	2400	760	900	770	190	800	1665	2740	1490	600	90	45	500	900	125	2220	670	650	10100	670			
800	145	250	120	210	100	210	400	650	1760	2700	840	1000	870	200	900	1870	3040	1680	645	90	45	560	1100	140	2520	710	650	14100	900			

Larger gear box sizes of this design on enquiry.

Modification of dimensions reserved.

Shaft ends with keys according to DIN 6885, part 1, Shape A.

Shaft centering according to DIN 332, shape DS (with thread)

Tolerance field for shaft ends ISO fit, up to 50 mm f k 6; over 50 mm f m 6.